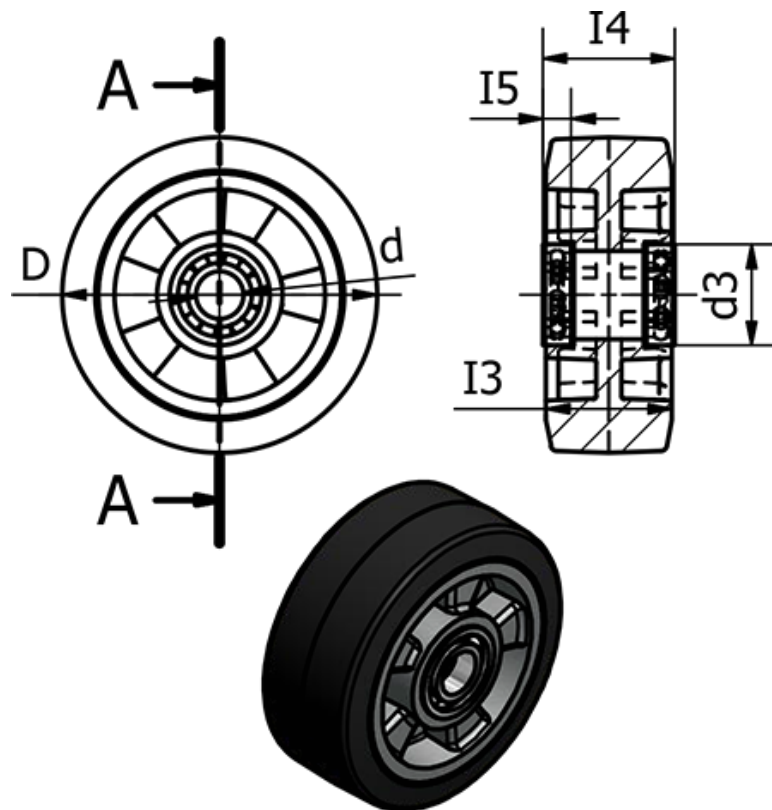


Article number: 2314452773

Description: E+G Cast iron wheel 452773
RE.G2-160-RSL - loose wheel with ball bearings

Measures



	= -	I5	= 14
	= -	Rolling resistance (N)	= 3000
Code	= 452773	Static load	= 4200
d	= 160	Type	= RE.G2-160-RSL
d3	= 47	Wight (g)	= 1220
Dynamic carrying capacity (N)	= 3000		
I3	= 50		
I4	= 59		